



3825 Ohio Avenue, St. Charles, Illinois 60174
800/736-7672, FAX: 630/377-6495
www.systemsensor.com

MP120K 120 VAC Adapter Mounting Plate

SPECIFICATIONS

General Specifications

Standard Operating Temperature:	-40°F to 151°F (-40°C to 66°C)
Humidity Range:	10 to 93% non-condensing (indoor products)
Nominal Voltage:	Regulated 120 VAC
Operating Voltage Range:	96-132 VAC
Current Draw From AC Line:	150 mA max.

MP120K may be used with any of the following products, at all horn and strobe settings:

P2R, P2RH, P2RK, P2RHK, P2W, P2WH, SR, SRH, SRK, SRHK, SW, SWH, PC2R, PC2RH, PC2RK, PC2RHK, PC2W, PC2WH, SCR, SCRH, SCRK, SCRHK, SCW, SCWH, HR, HRK, HW, SR-P, SW-P, SRH-P, SWH-P, P2R-P, P2W-P, P2RH-P, P2WH-P, SCR-P, SCW-P, SCRH-P, SCWH-P, PC2R-P, PC2W-P, PC2RH-P, PC2WH-P, SR-SP, SRH-SP, P2R-SP, P2RH-SP, SCW-SP, SCWH-SP, PC2W-SP, PC2WH-SP, CHR, CHW, CHSR, CHSW

GENERAL DESCRIPTION

The MP120K mounting plate is designed to allow the use of 120 VAC to power SpectrAlert Advance horns, strobes, horns/strobes, chimes, and chime/strobes. The MP120K consists of a SpectrAlert Advance mounting plate that has been fitted with a power supply that converts 120VAC to nominal 24V FWR.

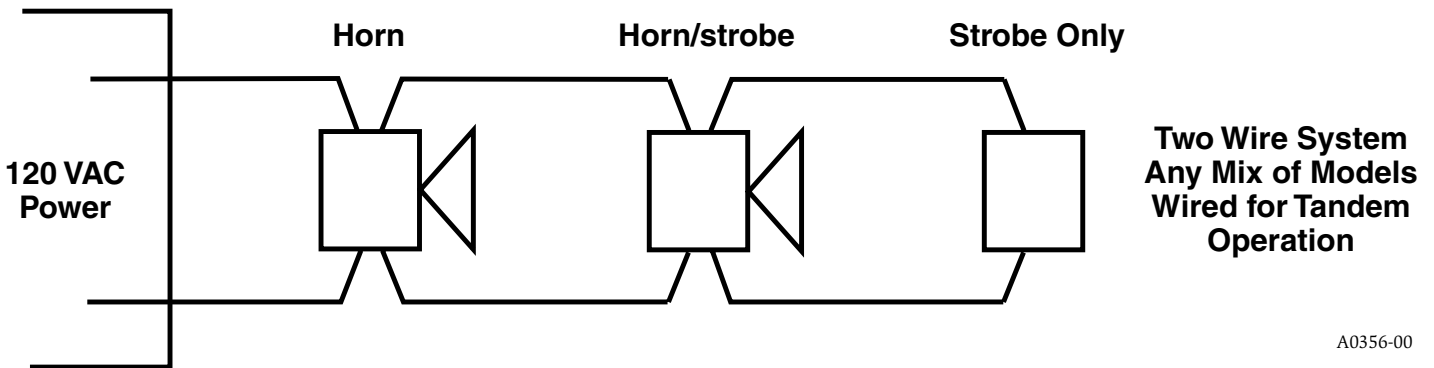
The MP120K must be installed using a 120 VAC power source. This unit can only be used for non-synchronous applications; it will NOT work with SpectrAlert Sync•Circuit Modules.

NOTICE: This manual shall be left with the owner/user of this equipment.

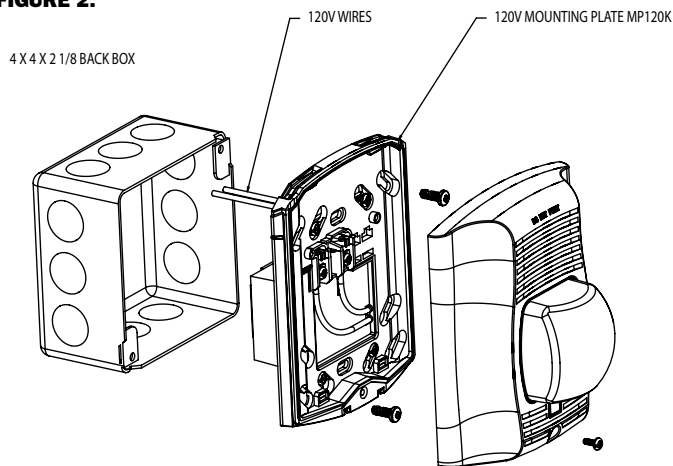
WIRING

This module has pig-tail wires and is intended to be wired without rigid connections inside a standard electrical box.

FIGURE 1. NON-SYNCHRONIZED DEVICES; ANY COMBINATION OF MODELS POWERED BY A 2-WIRE CIRCUIT.



MOUNTING
FIGURE 2.



MOUNTING (WALL OR CEILING)

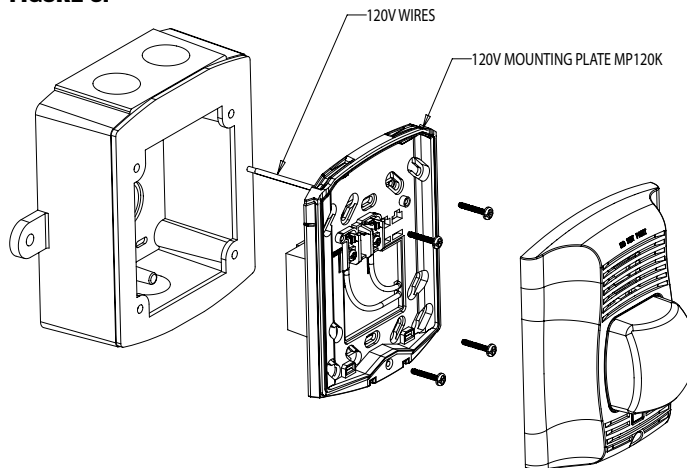
A0357-00

1. For indoor applications, attach the mounting plate as shown in Figure 2. The mounting plate is compatible only with 4 × 4 electrical boxes.
2. Connect field wiring. (For indoor models only)
3. If the product is not to be installed at this point, use the paint cover to prevent contamination of the mounting plate.
4. To attach product to mounting plate, remove the paint cover, then hook tabs on the product housing into the grooves on mounting plate.
5. Then, swing product into position to engage the pins on the product with the terminals on the mounting plate. Make sure that the tabs on the back of the product housing fully engage with the mounting plate.
6. Secure product by tightening the single mounting screw in the front of the product housing. For tamper resistance, the standard captivated mounting screw may be replaced with the enclosed Torx screw.

K SERIES MOUNTING

1. K Series products may be used indoors or outdoors. They must be installed using the proper SpectrAlert Advance weatherproof back box (SA-WBB or SA-WBBC). Do not attempt to use boxes other than the ones supplied with the product.
2. The wall mount box (SA-WBB) must be mounted with its internal post in the lower left corner, as shown in Figure 3.
3. Threaded holes are provided in the sides of the box for 3/4 inch conduit adapters. Knockout plugs in the back of the box can be used for 3/4 inch rear entry. Unused holes must be sealed. Plugs are provided with the box for this purpose.
4. It is the responsibility of the installer to make sure that all openings and connections are sealed properly. Outdoor installations that are protected from direct exposure to rain are still subject to condensation or leakage through hidden areas, such as a soffit.
5. Water may pool on the back box due to condensation or direct exposure to rain or snow. Use watertight fittings for all wiring connections, including the knockout plugs on the back of the box. When using plastic plugs to fill unused threaded holes, apply teflon tape and/or silicone sealant to reduce the chance of leakage.
6. Attach the mounting plate to the weatherproof back box using the four unpainted screws supplied.
7. Follow steps 1 – 6 of the indoor mounting instructions to wire and attach the product.

FIGURE 3.



A0418-01

Please refer to insert for the Limitations of Fire Alarm Systems

THREE-YEAR LIMITED WARRANTY

System Sensor warrants its enclosed product to be free from defects in materials and workmanship under normal use and service for a period of three years from date of manufacture. System Sensor makes no other express warranty for this product. No agent, representative, dealer, or employee of the Company has the authority to increase or alter the obligations or limitations of this Warranty. The Company's obligation of this Warranty shall be limited to the replacement of any part of the product which is found to be defective in materials or workmanship under normal use and service during the three year period commencing with the date of manufacture. After phoning System Sensor's toll free number 800-SENSOR2 (736-7672) for a Return Authorization number, send defective units postage prepaid to: System Sensor, Returns Department, RA # _____, 3825

Ohio Avenue, St. Charles, IL 60174. Please include a note describing the malfunction and suspected cause of failure. The Company shall not be obligated to replace units which are found to be defective because of damage, unreasonable use, modifications, or alterations occurring after the date of manufacture. In no case shall the Company be liable for any consequential or incidental damages for breach of this or any other Warranty, expressed or implied whatsoever, even if the loss or damage is caused by the Company's negligence or fault. Some states do not allow the exclusion or limitation of incidental or consequential damages, so the above limitation or exclusion may not apply to you. This Warranty gives you specific legal rights, and you may also have other rights which vary from state to state.

FCC STATEMENT

SpectrAlert Strobes and Horn/Strobes have been tested and found to comply with the limits for a Class B digital device, pursuant to part 15 of the FCC Rules. These limits are designed to provide reasonable protection against harmful interference when the equipment is operated in a commercial environment. This equipment generates, uses, and

can radiate radio frequency energy and, if not installed and used in accordance with the instruction manual, may cause harmful interference to radio communications. Operation of this equipment in a residential area is likely to cause harmful interference in which case the user will be required to correct the interference at his own expense.